

SMARTdri™

High-Efficiency Intelligent Hand Dryer

Secamanos inteligente altamente eficiente
Sèche-mains intelligent à haute efficacité



All K and K4 Series

Todos los modelos K y de la Serie K4
Ensemble de la série K et K4



Please read and save these instructions. Read carefully before attempting to assemble, install, operate or service the product described. Protect yourself and others by observing all safety information. Failure to comply with instructions could result in personal injury and/or property damage. Retain instructions for future reference.

Por favor lea y guarde estas instrucciones. Léalas cuidadosamente antes de tratar de montar, instalar, operar o dar mantenimiento al producto aquí descrito. Protéjase usted mismo y a los demás observando toda la información de seguridad. No seguir las instrucciones puede ocasionar daños, tanto personales como materiales. Guarde estas instrucciones para referencia en el futuro.

Lire et conserver ces instructions. Les lire attentivement avant de commencer à assembler, installer, faire fonctionner, réparer ou entretenir l'appareil décrit. Pour se protéger et protéger autrui, observer toutes les consignes de sécurité. Le fait de négliger d'appliquer ces instructions peut entraîner des blessures et/ou des dommages matériels. Conserver ces instructions pour consultation ultérieure.



World Dryer Corporation


5700 McDermott Drive
Berkeley, IL 60163 U.S.A.
800-323-0701
www.worlddryer.com

Description

World warm air hand dryer, powered by a universal brush motor, delivers up to 850 watts of drying power and incorporates an integrated element for heated air. The dryer controls provide for (3) distinct levels of motor operation (Hi, Med and Low) and the option of operation with, or without, the heating element. An infrared sensor is used to automatically activate the dryer. These models are intended for use in commercial, industrial, office and public facility environments.

Electrical Specifications

Table 1

Models	Type	Electrical Input	Rated Amperage	Rated Watts	Certifications
K-XXX	Automatic	120VAC, 50/ 60Hz	10A	1200	
K4-XXX	Automatic	208 - 240VAC, 50/60Hz	5.2A	1250	

General Safety Information



DANGER

Failure to disconnect the power source before installation or servicing can result in serious injury or death from electric shock.

- Always disconnect the power source before servicing or installing the hand dryer.



DANGER

Failure to properly ground this unit could result in severe electrical shock and/or death.

- This hand dryer must be properly grounded (Earthed) for safe operation. An identified ground connection point is supplied on the hand dryer's wall base.
- We recommend GFCI protection in wet or damp locations or as required by local code.



WARNING

Risk of fire, personal injury or property damage are possible if local codes, or safety recommendations are not followed.

- Installation and servicing should only be performed by qualified electrical technicians.
- Use only the electrical power (voltage and frequency) specified for the model hand dryer being installed. See Table 1 - Electrical Specifications.
- Connect the hand dryer to the nearest suitable distribution panel.
- To limit a voltage drop, and insure efficient operation, use No. 12 AWG (4 mm²) wire or larger as required by local electrical codes.
- Always connect to a branch circuit with circuit breaker or fuse protection with an electrical rating greater than the model hand dryer's rated amperage shown in Table 1 - Electrical Specifications in accordance with the NEC (National Electrical Code) and/or CEC (Canadian Electrical Code).
- To avoid a hazard due to inadvertent resetting of the thermal cutout, the hand dryer must not be supplied through an external switching device, such as a timer, or connected to a circuit that is regularly switched on and off by the utility.
- Each automatic model hand dryer must have a dedicated circuit.
- Route all field wiring away from moving parts within the hand dryer.



CAUTION

Improper mounting could result in personal injury or property damage.

- Follow the mounting height recommendations in Table 2.
- On a stud wall, one side of the hand dryer should be mounted to an existing stud.

Unpacking

1. Remove all packing material. Recycling is recommended.
2. Carefully remove the hand dryer from the shipping carton, using care not to drop the appliance.
3. Inspect carefully for any damage that may have occurred during transit. Check for any loose, missing or damaged parts. If the hand dryer is damaged, promptly inform the dealer where you purchased it.

Parts List

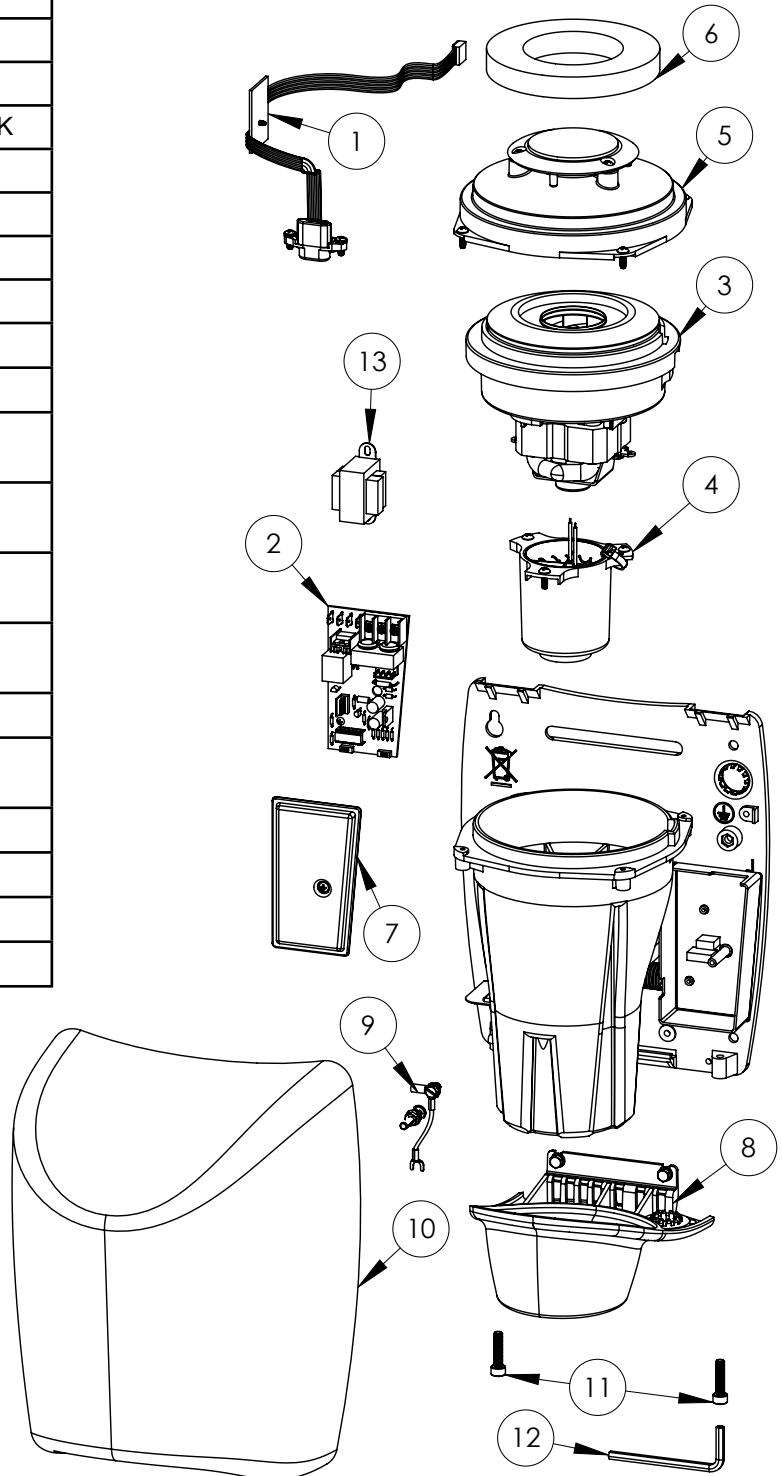
Repair Parts List For SMARTdri™ Hand Dryer

#	Description	Part Number
1	Kit, Sensor	49-10108K
2	Kit, Dryer Controls	16-KK
3	Kit, Motor- 120V	32-K120K
	Kit, Motor - 240V	32-K240K
4	Kit, Heating Element - 120V	21-1120K
	Kit, Heating Element - 240V	21-1240K
5	Kit, Plenum Cap Assy	47-0818092AK
6	Air Filter	93-120309
7	Kit, Controls Cover	20-0815093K
8	Kit, Nozzle	30-K10109K
9	Kit, Grounding - Model K	23-120609
10	Cover Assy - Alum - White	20-K974
	Cover Assy - Alum - Black	20-K162
	Cover Assy - Alum - Polished/ Bright Chrome	20-K970
	Cover Assy - Alum - Brushed/ Satin Chrome	20-K971
	Cover Assy - Stainless Steel - Polished/ Bright	20-K972
	Cover Assy - Stainless Steel - Brushed/ Satin	20-K973
	Cover Assy - Steel - White	20-K975
	Cover Assy - Cast Iron - Porce- lain Enamel	20-K976
11	Kit, Security Screws	46-040222K
12	Wrench, Security	56-40189
13	Transformer - 120V	50-K120K
	Transformer - 240V	50-K277K

All kits include fasteners needed for installation. Part Number for Cover Assy. (Reference Number 10) varies with model number for hand dryer.

For Repair Parts, visit www.WorldDryer.com
Please provide following information:

- Model number
- Serial number
- Part description and number shown in parts list



Installation

1. Disconnect the power source.
2. Using Table 2 to determine the recommended mounting height, select a mounting location for the hand dryer where no reflective surfaces or objects (such as a hand basin) are directly under the infra-red sensor eye. The infra-red sensor eye is visible from the bottom of the dryer and is located just inside the dryer's nozzle area. The minimum mounting distance from bottom of the dryer to a reflective surface is 18 in (46 cm). When two or more dryers are installed, they should be spaced apart 24 in (61 cm)
3. Use the security hex key supplied to turn the cover mounting screws **clockwise** to remove the cover from the dryer.
4. Place the hand dryer base on the wall at selected location and using the base as a template, mark locations for the 4 mounting bolt holes on the wall.
5. Fasten the base to the wall, using the type of bolts recommended in Table 3
6. Each dryer must have its own dedicated circuit.
7. Connect the dryer to the nearest suitable distribution panel.
8. Replace cover, turn screws **counter-clockwise** making certain not to over-tighten.

IMPORTANT: Consult local and general regulations before performing dryer installation. Ensure the electrical network is not overloaded. Always connect to a dedicated branch circuit with circuit breaker or fuse protection and an electrical rating greater than the model hand dryer's rated amperage shown in Table 1 - Electrical Specifications in accordance with the NEC (National Electrical Code) and/or CEC (Canadian Electrical Code).

Table 2

Recommended Mounting Heights from Floor to Dryer Bottom Edge	in. (cm.)
Men's washrooms	46 (117)
Women's washrooms	44 (112)
Children's washrooms, ages 4-7	32 (81)
Children's washrooms, ages 7-10	36 (91)
Children's washrooms, ages 10-13	40 (102)
Children's washrooms, ages 13-17	44 (112)
Handicap Mounting Height	37 (94)

Table 3

Type of Wall	Type of Bolt	Minimum Bolt Length
Hollow Tile, Lath, Wall Board or Metal	1/4" (M6) screw Type or Wing Type toggle Bolts	Dependent on wall thickness
Cement, Brick, or Tile Covered Cement or Brick	1/4" (M6) Stud Type Expansion Bolts	3" (76mm)
Stud Wall with wood Backing	No 16 (M8) Wood Screws	23/4" (70mm)

Adjusting Dryer Controls

Table 4

Motor Setting	K-XXX Series Models Power Usage (Watts)		Motor Setting	K4-XXX Series Models Power Usage (Watts)	
	Heater "OFF"	Heater "ON"*		Heater "OFF"	Heater "ON"*
Hi	800	1200	Hi	850	1250
Med	575	975	Med	600	1000
Low	400	800	Low	425	825

* Heating element wattage is 400W maximum.

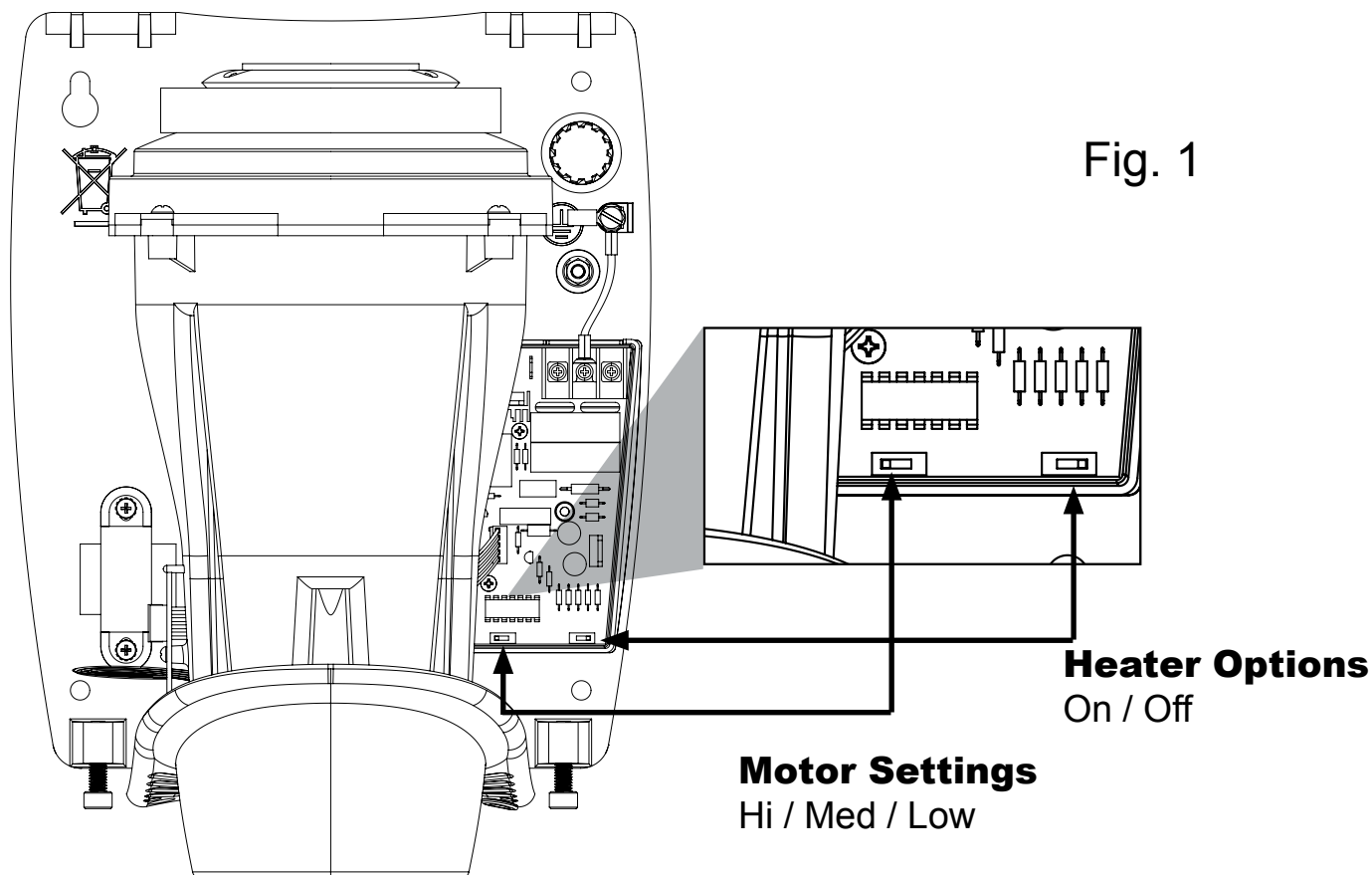
The hand dryer has adjustable controls for (3) levels of operation – Hi, Med and Low. The dryer can be operated with the heating element "ON" or "OFF". The dryer's power usage for the range of operation is shown in Table 4.

Note: The factory setting for the dryer controls is motor "Hi" and heater "ON".

The adjustable dryer controls are located on the printed circuit board inside the dryer's wiring compartment.

To adjust dryer controls:

1. Disconnect the power source.
2. Use the security hex key supplied to turn the cover mounting screws **clockwise** to remove the cover from the dryer.
3. Remove the wiring compartment cover to access the adjustable controls (see Fig. 1).
4. Adjust motor setting and heater as desired, and replace wiring compartment cover.
5. Reassemble the dryer cover using the security hex key supplied to turn the cover mounting screws **counter-clockwise** and tighten until snug. Do not over tighten.



Maintenance and Cleaning Instructions

IMPORTANT: *The dryer has an air filter to prevent lint and debris build up that can damage the motor and heating element. Routine replacement or cleaning of the air filter is needed to maintain the dryer in good operating condition. With light to moderate wash room traffic, replacing or cleaning the air filter once a year is recommended. If the wash room traffic is high, the air filter should be replaced or cleaned every 6 months. Read complete instruction before proceeding.*

To replace or clean the air filter:

1. Disconnect the power source.
2. Use the security hex key supplied to turn the cover mounting screws clockwise to remove the cover from the dryer.
3. Removing and replacing the air filter is easily done by gently stretching and lifting the air filter around the motor inlet cover.
4. To clean the air filter, remove from motor inlet cover. Use soft-medium bristle 1/2" paint brush to clean lint, dust and debris from the filter. If air filter cannot be completely cleared of debris, replace the filter.
5. After replacing the air filter onto the motor inlet cover, reassemble the dryer cover using the security hex key supplied to turn the cover mounting screws counter-clockwise and tight until snug. Do not over tighten.

Troubleshooting Chart

Dryer fails to start.	A) No power to unit.	Check power to unit and connections.
	B) Defective motor.	Replace motor.
	C) Defective IR sensor.	Replace IR sensor assembly.
	D) Defective dryer controls.	Replace dryer controls.
Dryer will not shut off or runs 30 seconds, then will not re-start.	A) Sensor is dirty, defective or there is a reflection.	1. Check infra-red eye for dirt or damage. Use plastic lens cleaning solution and a soft cloth. Dry lens with a soft cloth.
		2. Make sure that sensor is not getting a reflection from another object.
		3. After electricity has been applied to the dryer, it should turn on within few seconds. Test by placing hands 2 - 5 inches (51 - 127 mm) below the nozzle.
	B) Defective dryer controls.	Replace dryer controls.
Dryer air output is slow.	A) Motor setting is incorrect.	Adjust motor setting. See pg.3 of instructions.
Dryer air is not warm.	A) Heater is in the "OFF" position.	Adjust heater to "ON" position. See page 3 of instructions.
	B) Defective heating element.	Replace heating element assembly.
	C) Defective dryer controls.	Replace dryer controls.

Limited Warranty

World LIMITED FIVE – YEAR WARRANTY. World Warm Air Hand Dryer, Model covered in this manual, is warranted by World Dryer Corporation to the original user against defects in workmanship or materials under normal use for 5 years after date of purchase. Any part which is determined to be defective in material or workmanship and returned to an authorized service location, as World designates, shipping costs prepaid, will be, as the exclusive remedy, repaired or replaced at World's option. For limited warranty claim procedures, see PROMPT DISPOSITION below. This limited warranty gives purchasers specific rights from jurisdiction to jurisdiction.

LIMITATION OF LIABILITY. To the extent allowable under applicable law, World's liability for consequential and incidental damages is expressly disclaimed. World's liability in all events is limited to and shall not exceed the purchase price paid.

WARRANTY DISCLAIMER. World has made a diligent effort to provide product information and illustrate the products in this literature accurately; however, such information and illustrations are for the sole purpose of identification, and do not express or imply a warranty that the products are MERCHANTABLE, or FIT FOR A PARTICULAR PURPOSE, or that the products will necessarily conform to the illustrations or descriptions. Except as provided below, no warranty or affirmation on fact, expressed or implied, other than as stated in the "LIMITED WARRANTY" above is made or authorized by World.

PRODUCT SUITABILITY. Many jurisdictions have codes and regulations governing sales, construction, installation, and/or use of products for certain purposes, which may vary from those in neighboring areas. While World attempts to assure that the products comply with such codes, it cannot guarantee compliance, and cannot be responsible for how the product is installed or used. Before purchase and use of a product, review the product application, and all applicable national and local codes and regulations, and be sure that the product, installation, and use will comply with them.

Certain aspects of disclaimers are not applicable to consumer products; e.g., (a) some jurisdictions do not allow the exclusion or limitation of incidental or consequential damages, so the above limitation or exclusion may not apply to you; (b) also, some jurisdictions do not allow a limitation on how long an implied warranty lasts, consequentially the above limitation may not apply to you; and (c) by law, during the period of this Limited Warranty, and implied warranties of implied merchantability or fitness for particular purpose applicable to consumer products purchased by consumers, may not be excluded or otherwise disclaimed.

Manufactured by World Dryer Corporation, Berkeley, Illinois 60163 U.S.A.

PROMPT DISPOSITION. World will make a good faith effort for prompt correction or other adjustment with respect to any product which proves to be defective within limited warranty. For any product believed to be defective within limited warranty, first write or call dealer from whom the product was purchased. Dealer will give additional directions. If unable to resolve satisfactorily, write to World at address below, giving dealer's name, address, date, and number of dealer's invoice, and describing the nature of defect. Title and risk of loss pass to buyer on delivery to common carrier. If product was damaged in transit to you, file claim with carrier.




5700 McDermott Drive
Berkeley, IL 60163 U.S.A.
800-323-0701
www.worlddryer.com

Descripción

El secamano por aire caliente World Dryer, impulsado por un motor universal con escobillas, suministra un máximo de 850 vatios de potencia de secado e incorpora un elemento integrado de calefacción del aire. Los mandos del secador permiten tres (3) niveles distintos de funcionamiento del motor [Hi (Alto), Med (Intermedio) y Low (Bajo)] así como la opción de utilizar la unidad con o sin el elemento calefactor. El secador se activa automáticamente mediante un sensor de infrarrojos. Estos modelos están diseñados para entornos comerciales, industriales, de oficinas e instalaciones públicas.

Especificaciones del Sistema Eléctrico

Tabla 1

Modelos	Tipo	Entrada eléctrica	Intensidad nominal	Potencia nominal	Certificaciones
K-XXX	Automático	120 V CA, 50/60Hz	10A	1200	
K4-XXX	Automático	208-240 V CA, 50/60 Hz	5,2A	1250	

Información de Seguridad General



PELIGRO

No desconectar la fuente de alimentación eléctrica antes de realizar la instalación o el mantenimiento, puede resultar en lesiones graves o la muerte debido a un choque eléctrico.

- Siempre desconecte la fuente de alimentación antes de instalar el secamano o darle mantenimiento.



PELIGRO

No conectar correctamente a tierra esta unidad puede resultar en un choque eléctrico grave y/o la muerte.

- Para utilizar este secamano sin peligro, debe conectarse a tierra correctamente. En la base mural del secamano se identifica un punto de conexión a tierra.
- Recomendamos utilizar un protector GFCI (interruptor de circuito de fallo a tierra) en emplazamientos mojados o húmedos, o donde lo exija el código local.



ADVERTENCIA

Se corren riesgos de incendio, lesiones personales o daños materiales si no se cumple con los códigos locales o las recomendaciones de seguridad.

- La instalación y el mantenimiento deben ser realizados únicamente por técnicos eléctricos calificados.
- Utilice únicamente la energía eléctrica (voltaje y frecuencia) especificada para el modelo de secamano que se esté instalando. Consulte la Tabla 1: Especificaciones del sistema eléctrico.
- Conecte el secamano en el panel de distribución adecuado más cercano.
- Para limitar las caídas de voltaje, y garantizar un funcionamiento eficiente, utilice un conductor de número AWG 12 (4 mm²) o mayor de acuerdo con los requisitos de los códigos eléctricos locales.
- Siempre conecte a un ramal que tenga instalado un cortacircuito o un fusible protector cuya capacidad eléctrica supere la intensidad nominal del modelo del secamano, como se indica en la Tabla 1: Especificaciones del sistema eléctrico de acuerdo con el Código Eléctrico Nacional (NEC) y/o el Código Eléctrico Canadiense (CEC).
- Para evitar el peligro de reconectar accidentalmente el interruptor térmico, el secamano no debe alimentarse a través de un dispositivo conmutador externo como, por ejemplo, un temporizador, ni conectarse a un circuito que la empresa de servicio eléctrico cierre o abra regularmente.
- Todo secamano de modelo automático debe tener un circuito dedicado.
- Separe todo el tendido de cables de las piezas móviles del interior del secamano.



ATENCIÓN

El montaje incorrecto puede ocasionar lesiones personales o daños materiales.

- Observe las alturas de montaje recomendadas en la Tabla 2.
- En paredes entramadas, se debe montar un lado del secamano en uno de los montantes existentes.

Desembalaje

1. Retire todos los materiales de embalaje. Se recomienda reciclar los materiales.
2. Extraiga cuidadosamente el secamano de la caja de envío, sin dejar caer el aparato.
3. Inspeccione el producto cuidadosamente para verificar si se han producido daños durante el transporte. Revise para verificar si hay partes sueltas, que faltan o que están dañadas. Si el secamano está averiado, informe prontamente al distribuidor que se lo haya vendido.

Lista de Partes

Lista de repuestos del secamanos SMARTdri™

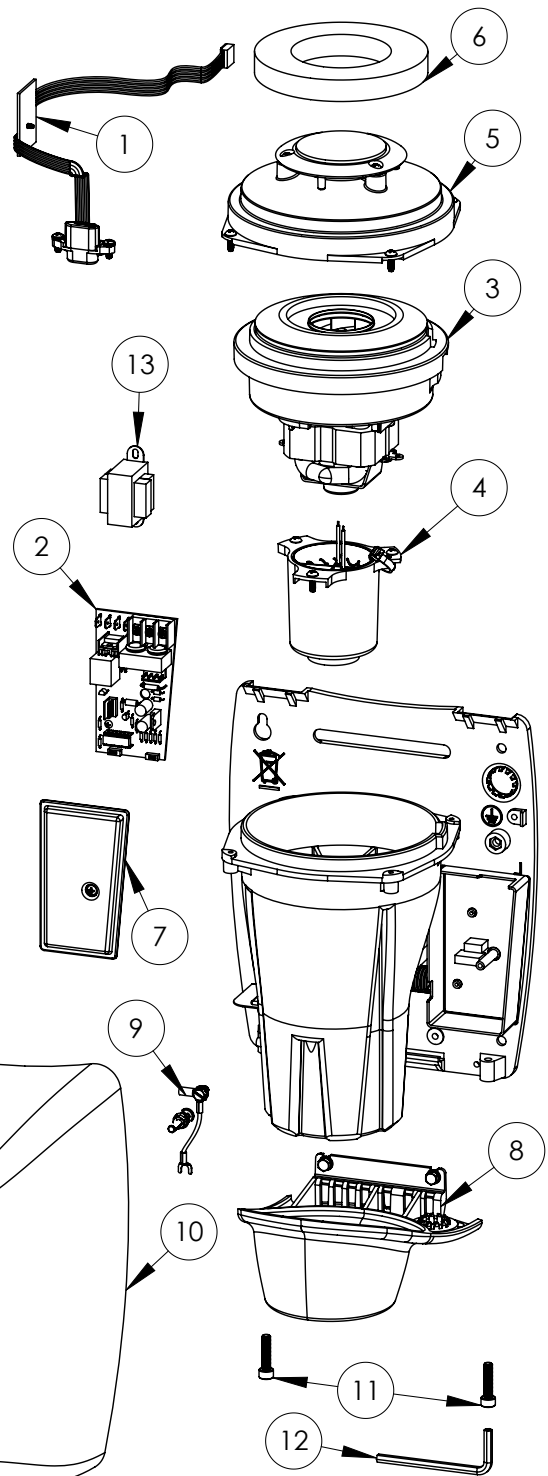
#	Descripción	Número de parte
1	Juego, sensor	49-10108K
2	Juego, mandos del secador	16-KK
3	Juego, motor, 120 V	32-K120K
	Juego, motor, 240 V	32-K240K
4	Juego, elemento calefactor, 120 V	21-1120K
	Juego, elemento calefactor, 240 V	21-1240K
5	Juego, conjunto de la cubierta de la unidad impelente	47-0818092AK
6	Filtro de aire	93-120309
7	Juego, cubierta de los mandos	20-0815093K
8	Juego, boquilla	30-K10109K
9	Juego, conexión a tierra, modelo	23-120609
10	Conjunto de la cubierta, aluminio, blanca	20-K974
	Conjunto de la cubierta, aluminio, negra	20-K162
	Conjunto de la cubierta, aluminio, cromada pulida/brillante	20-K970
	Conjunto de la cubierta, aluminio, cromada cepillada/acabado satinado	20-K971
	Conjunto de la cubierta, acero inoxidable, pulida/brillante	20-K972
	Conjunto de la cubierta, acero inoxidable, cepillada/acabado satinado	20-K973
	Conjunto de la cubierta, acero, blanca	20-K975
	Conjunto de la cubierta, hierro fundido, esmalte de porcelana	20-K976
11	Juego, tornillos de seguridad	46-040222K
12	Llave inglesa, seguridad	56-40189
13	Transformador, 120 V	50-K120K
	Transformador, 240 V	50-K277K

Todos los juegos incluyen los afianzadores necesarios para la instalación. El número de pieza del conjunto de la cubierta (número de referencia 10) varía con el número de modelo del secamanos.

Para información sobre repuestos, visite www.WorldDryer.com

Por favor proporcione la siguiente información:

- Número de modelo
- Número de serie
- Descripción de la pieza y número indicado en la lista de partes



Instalación

1. Desconecte la fuente de alimentación.
2. Basándose en las alturas de montaje recomendadas en la Tabla 2, seleccione un lugar donde montar el secamanos que no tenga superficies ni objetos reflectantes (p. ej., un lavamanos) directamente debajo del sensor de infrarrojos. El sensor de infrarrojos puede verse por la parte inferior del secador, y está ubicado dentro del espacio de la boquilla del secador. La separación de montaje mínima entre la parte inferior del secador y cualquier superficie reflectante es 46 cm (18 pulg.). Cuando se instalan dos o más secadores, deben separarse al menos 61 cm (24 pulg.).
3. Utilice la llave hexagonal de seguridad que se proporciona para girar **a la derecha** los tornillos de montaje de la cubierta, y separarla del secador.
4. Coloque la base del secamanos en el lugar elegido de la pared y, utilizando la base de plantilla, marque en la pared la ubicación de los agujeros para los 4 pernos de montaje.
5. Fije la base en la pared mediante el tipo de pernos recomendado en la Tabla 3.
6. Cada secamanos debe tener su propio circuito dedicado.
7. Conecte el secador en el panel de distribución adecuado más cercano.
8. Coloque nuevamente la cubierta, gire los tornillos **a la izquierda** y asegúrese de no apretarlos demasiado.

IMPORTANTE: Consulte los reglamentos locales y generales antes de realizar la instalación del secador. Asegúrese que la red eléctrica no esté sobrecargada. Siempre conecte a un ramal dedicado que tenga instalado un cortacircuito o un fusible protector cuya capacidad eléctrica supere la intensidad nominal del modelo del secamanos, como se indica en la Tabla 1: Especificaciones del sistema eléctrico de acuerdo con el Código Eléctrico Nacional (NEC) y/o el Código Eléctrico Canadiense (CEC).

Tabla 2

Alturas de montaje recomendadas desde el suelo hasta la parte inferior del secamanos	cm (pulg.)
Baños de hombres	117 (46)
Baños de mujeres	112 (44)
Baños de niños, 4 a 7 años de edad	81 (32)
Baños de niños, 7 a 10 años de edad	91 (36)
Baños de niños, 10 a 13 años de edad	102 (40)
Baños de niños, 13 a 17 años de edad	112 (44)
Altura de montaje para discapacitados	94 (37)

Tabla 3

Tipo de pared	Tipo de perno	Longitud mínima del perno
Baldosa hueca, malla, pared de yeso o metal	Pernos acodillados roscados (M6) o de palomilla de 1/4 pulg.	Depende del grosor de la pared
Cemento, ladrillo, o cemento o ladrillo recubierto con baldosas	Pernos de expansión de tipo para postes (M6) de 1/4 pulg.	76 mm (3 pulg.)
Pared de entramado con refuerzo de madera	Tornillos para madera (M8) número 16	70 mm (2 3/4 pulg.)

Ajuste de los Mandos del Secador

Tabla 4

Ajuste del motor	Modelos de la Serie K-XXX		Ajuste del motor	Modelos de la Serie K4-XXX	
	Consumo de potencia (vatios)			Consumo de potencia (vatios)	
	Calefactor APAGADO	Calefactor ENCENDIDO*		Calefactor APAGADO*	Calefactor ENCENDIDO*
Hi (Alto)	800	1200	Hi (Alto)	850	1250
Med (Intermedio)	575	975	Med (Intermedio)	600	1000
Low (Bajo)	400	800	Low (Bajo)	425	825

* La potencia máxima del elemento calefactor es 400 W.

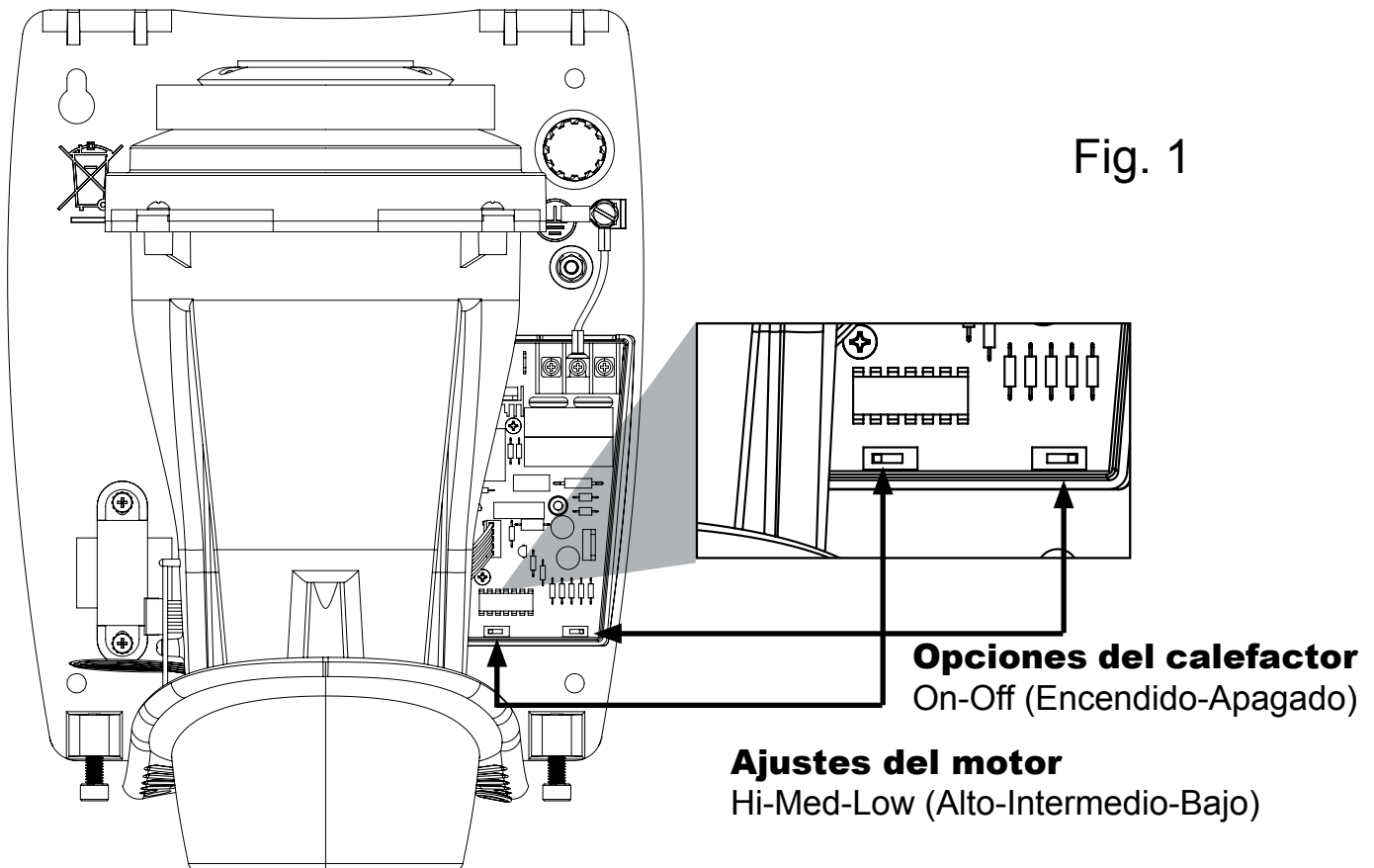
El secamanos cuenta con mandos ajustables para tres (3) niveles de funcionamiento: Hi (Alto), Med (Intermedio) y Low (Bajo). El secador puede utilizarse con el elemento calefactor ENCENDIDO o APAGADO. En la Tabla 4 se indica el consumo de potencia del secador correspondiente a cada nivel de funcionamiento.

Aviso: En fábrica, los mandos del secador se ajustan en Hi (Alto), para el motor, y ON (Encendido), para el calefactor.

Los mandos ajustables del secador están ubicados en la placa de circuito impreso, en el interior del compartimento de cableado del secador.

Para ajustar los mandos del secador:

1. Desconecte la fuente de alimentación.
2. Utilice la llave hexagonal de seguridad que se proporciona para girar **a la derecha** los tornillos de montaje de la cubierta, y separarla del secador.
3. Quite la tapa del compartimento de cableado para acceder a los mandos ajustables (ver Fig. 1).
4. Elija los ajustes del motor y del calefactor que interesen, y vuelva a tapar el compartimento de cableado.
5. Monte nuevamente la cubierta del secador valiéndose de la llave hexagonal de seguridad que se proporciona para girar **a la izquierda** los tornillos de montaje de la cubierta, y apriete hasta fijarla. No apriete demasiado.



Instrucciones de Mantenimiento y Limpieza

IMPORTANTE: El secador incluye un filtro de aire para evitar la acumulación de pelusa y restos de materiales que pudieran averiar el motor y el elemento calefactor. Es necesario limpiar o reemplazar el filtro de aire de manera rutinaria para garantizar la buena condición de funcionamiento del secador. Si el uso del baño es leve o moderado, se recomienda reemplazar o limpiar el filtro de aire una vez al año. Si el uso del baño es intenso, se recomienda reemplazar o limpiar el filtro de aire cada 6 meses. Lea todas las instrucciones antes de proceder.

Para reemplazar o limpiar el filtro de aire:

1. Desconecte la fuente de alimentación.
2. Utilice la llave hexagonal de seguridad que se proporciona para girar **a la derecha** los tornillos de montaje de la cubierta, y separarla del secador.
3. Se puede extraer y volver a colocar fácilmente el filtro de aire estirando y levantando éste alrededor de la cubierta del orificio de entrada del motor.
4. Para limpiar el filtro de aire, retírelo de la cubierta del orificio de entrada del motor. Elimine la pelusa, el polvo y los restos de materiales del filtro con una brocha para pintar de cerdas suaves-intermedias de 12 mm. Si no puede eliminar todos los restos de materiales del filtro, reemplácelo.
5. Luego de volver a colocar el filtro de aire en la cubierta del orificio de entrada del motor, vuelva a montar la cubierta del secador valiéndose de la llave hexagonal de seguridad que se proporciona para girar **a la izquierda** los tornillos de montaje de la cubierta, y apriete hasta fijarla. No apriete demasiado.

Tabla de Identificación de Problemas

El secador no arranca.	A) La unidad no recibe alimentación eléctrica.	Verifique el suministro eléctrico de la unidad y las conexiones.
	B) El motor está defectuoso.	Reemplace el motor.
	C) El sensor de IR está defectuoso.	Reemplace el conjunto del sensor de IR.
	D) Los mandos del secador están defectuosos.	Reemplace los mandos del secador.
El secador no puede apagarse, o funciona 30 segundos y después no puede encenderse de nuevo.	A) El sensor está sucio o defectuoso, o recibe el reflejo de otro objeto.	1. Revise el ojo infrarrojo para ver si está sucio o dañado. Utilice una solución de limpieza para lentes de plástico y un paño suave. Seque la lente con un paño suave.
		2. Compruebe que el sensor no recibe el reflejo de otro objeto.
		3. El secador debe encenderse pocos segundos después de haberse conectado la alimentación eléctrica. Compruebe la unidad colocando las manos entre 51 y 127 mm por debajo de la boquilla.
El secador no puede apagarse, o funciona 30 segundos y después no puede encenderse de nuevo.	B) Los mandos del secador están defectuosos.	Reemplace los mandos del secador.
El secador expulsa el aire muy lentamente.	A) El ajuste del motor no es el adecuado.	Cambie el ajuste del motor. Consulte las instrucciones en la página 3.
El aire del secador no está caliente.	A) El calefactor está apagado (posición "OFF").	Encienda el calefactor (posición "ON"). Consulte las instrucciones en la página 3.
	B) El elemento calefactor está defectuoso.	Reemplace el conjunto del elemento calefactor.
	C) Los mandos del secador están defectuosos.	Reemplace los mandos del secador.

Garantía Limitada

GARANTÍA LIMITADA DE CINCO AÑOS DE World Dryer. World Dryer Corporation le garantiza al usuario original que el modelo del secador por aire caliente World Dryer tratado en este manual estará libre de defectos de construcción y materiales si se somete a un uso normal por cinco años a partir de la fecha de compra. Cualquier pieza que se halle defectuosa, ya sea por materiales o construcción, y se devuelva a un centro de reparación autorizado, según lo indique World Dryer, con los costos de envío pagados por adelantado, se reparará o reemplazará, como remedio exclusivo, a la discreción de World Dryer. Para información relacionada con los procedimientos de reclamación provistos por la garantía limitada, consulte más adelante la sección ATENCIÓN OPORTUNA. Esta garantía limitada confiere al comprador derechos específicos que varían de una jurisdicción a otra.

LÍMITES DE RESPONSABILIDAD. En la medida en que las leyes aplicables lo permitan, se excluye expresamente la responsabilidad de World Dryer por daños indirectos o menores. La responsabilidad de World Dryer se limita al precio de compra pagado, al cual no sobrepasará.

EXCLUSIÓN DE RESPONSABILIDAD DE LA GARANTÍA. World Dryer se ha esforzado diligentemente en proporcionar a través de este manual información e ilustraciones concernientes al producto; sin embargo, esta información y estas ilustraciones tienen como único fin la identificación del producto, y no expresan ni implican garantía de que los productos sean VENDIBLES o ADECUADOS A UN PROPÓSITO EN PARTICULAR, ni que se ajusten necesariamente a las ilustraciones o descripciones. Con excepción de lo que se establece a continuación, World Dryer no hace ni autoriza ninguna garantía o afirmación de hecho, expresa o implícita, que no se estipule en la "GARANTÍA LIMITADA" anterior.

ADECUACIÓN DEL PRODUCTO. Muchas jurisdicciones tienen códigos o regulaciones sobre la venta, el diseño, la instalación y/o el uso de productos para ciertas aplicaciones; dichas leyes pueden variar de un área a otra. Si bien World Dryer trata de que los productos cumplan con estos códigos, no puede garantizar su cumplimiento ni puede hacerse responsable de la forma en que se instale o utilice el producto. Antes de comprar y utilizar el producto, revise su aplicación y todos los códigos y reglamentos nacionales y locales aplicables, y asegúrese que el producto, la instalación y el uso los cumplan.

Ciertos aspectos de las limitaciones de responsabilidad no se aplican a los productos de consumo; es decir (a) algunas jurisdicciones no permiten la exclusión o limitación de daños menores o indirectos, por lo cual la limitación o exclusión anterior quizás no se aplique en su caso; (b) asimismo, algunas jurisdicciones no permiten limitar el plazo de las garantías implícitas, por lo cual la limitación anterior quizás no se aplique en su caso; y (c) por ley, mientras estén vigentes, no pueden excluirse ni de ninguna otra manera denegarse la Garantía Limitada y las garantías implícitas de comerciabilidad o idoneidad para un propósito en particular implícitas que corresponden a los productos de consumo adquiridos por los consumidores.

Fabricado por World Dryer Corporation, Berkeley, Illinois 60163 U.S.A.

ATENCIÓN OPORTUNA. World Dryer hará un esfuerzo de buena fe para corregir oportunamente o hacer otros ajustes relacionados con cualquier producto que resulte defectuoso dentro de los términos de esta garantía limitada. En el caso de que encuentre un producto defectuoso y que esté cubierto dentro de los límites de esta garantía haga el favor de escribir primero, o llame, al distribuidor a quien le compró el producto. El distribuidor le dará las instrucciones adicionales. Si no logra resolver el problema de forma satisfactoria, escriba a World Dryer a la siguiente dirección, y proporcione el nombre y la dirección del distribuidor así como la fecha y el número de su factura, y describa la naturaleza del defecto. La propiedad del artículo y el riesgo de pérdida pasan al comprador en el momento de la entrega del artículo a la compañía de transporte. Si el producto se daña durante el transporte, debe presentar su reclamo a la compañía transportista.




5700 McDermott Drive
Berkeley, IL 60163 U.S.A.
800-323-0701
www.worlddryer.com

Description

Le sèche-mains à air chaud à moteur universel avec balais de World Dryer offre une puissance de séchage de 850 watts et incorpore un élément intégré pour l'air chaud. Les commandes du sèche-mains offrent trois niveaux distincts de fonctionnement du moteur (« Hi », « Med » et « Low ») et l'option d'un fonctionnement avec ou sans l'élément chauffant. Un capteur infrarouge met en marche automatiquement le sèche-mains. Ces modèles sont conçus pour être utilisés dans les magasins, usines, bureaux et bâtiments publics.

Caractéristiques électriques

Tableau 1

Modèles	Type	Consommation électrique	Intensité nominale	Puissance nominale	Certifications
K-XXX	Automatique	120 Vc.a., 50/60 Hz	10 A	1200	
K4-XXX	Automatique	208-240 Vc.a., 50/60 Hz	5,2 A	1250	

Consignes générales de sécurité



DANGER

Le fait de ne pas débrancher la source d'alimentation avant de procéder à l'installation, à la réparation ou à l'entretien peut entraîner des blessures graves ou mortelles résultant d'un choc électrique.

- Toujours débrancher la source d'alimentation avant de réparer, d'entretenir ou d'installer le sèche-mains.



DANGER

Veiller à mettre cet appareil à la terre correctement afin d'éviter un risque de choc électrique grave, voire mortel.

- Ce sèche-mains doit être mis à la terre correctement pour fonctionner en toute sécurité. Un point de raccordement à la terre est identifié sur le socle de fixation murale du sèche-mains.
- Nous recommandons une protection par disjoncteur de fuite à la terre (DDFT) dans les endroits mouillés ou humides, ou si les normes locales l'exigent.



AVERTISSEMENT

Un risque d'incendie, de blessures ou de dommages matériels est possible en cas de non-respect des normes locales en vigueur ou des recommandations de sécurité.

- L'installation et toute réparation ne doivent être effectuées que par des électrotechniciens agréés.
- N'utiliser que le type d'alimentation électrique (tension et fréquence) spécifié pour le modèle de sèche-mains en cours d'installation. Se reporter au tableau 1 – Caractéristiques électriques.
- Raccorder le sèche-mains au tableau de distribution adapté le plus proche.
- Pour limiter les chutes de tension et garantir un fonctionnement efficace, utiliser du fil de calibre 12 AWG (4,0 mm²) ou plus gros conformément aux normes électriques locales en vigueur.
- Toujours raccorder l'appareil à un circuit de dérivation protégé par un disjoncteur ou un fusible aux caractéristiques nominales supérieures à l'intensité nominale du modèle de sèche-mains figurant sur le tableau 1 – Caractéristiques électriques, conformément au NEC (National Electrical Code) et/ou au Code Canadien de l'électricité (CCE).
- Afin d'éviter les risques liés à une remise à zéro accidentelle de l'interrupteur à relais thermique, cet appareil ne doit pas être alimenté par un dispositif de marche/arrêt externe (minuterie) ni branché sur un circuit régulièrement allumé et éteint par le fournisseur d'énergie.
- Chaque modèle de sèche-mains doit avoir son propre circuit spécialisé.
- Faire passer l'ensemble du câblage sur site à l'écart des pièces mobiles qui sont à l'intérieur du sèche-mains.



ATTENTION

Un montage incorrect peut provoquer des accidents corporels et des dommages matériels.

- Suivre les recommandations concernant la hauteur de pose du tableau 2.
- Sur un colombage, monter un côté du sèche-mains sur un poteau existant.

Déballage

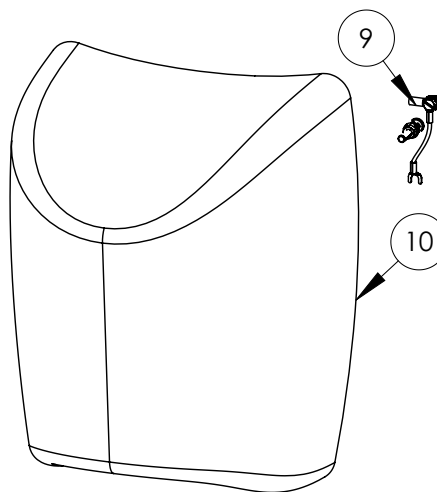
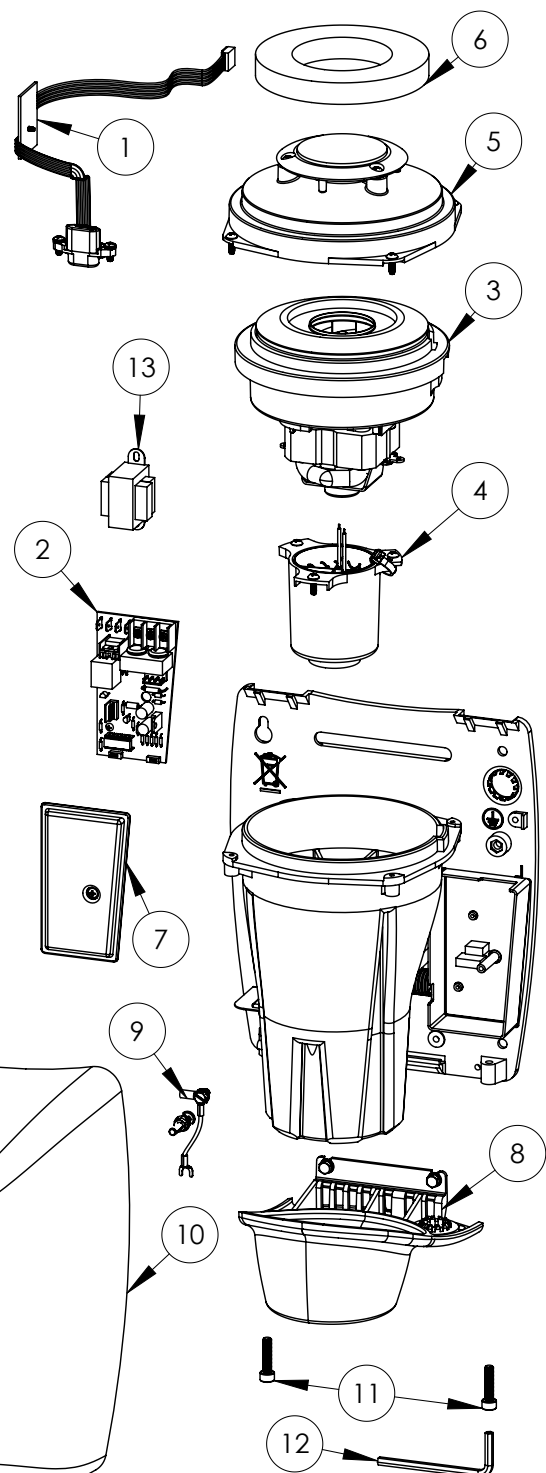
1. Enlever tous les produits d'emballage. Il est recommandé de les recycler.
2. Sortir le sèche-mains du carton avec précaution, en veillant à ne pas le faire tomber.
3. Vérifier soigneusement qu'aucun dommage n'est survenu durant le transport. Examiner les pièces pour voir si certaines sont desserrées, manquantes ou endommagées. Si le sèche-mains est endommagé, en informer immédiatement le concessionnaire qui vous l'a vendu.

Liste des pièces

Liste des pièces détachées pour sèche-mains SMARTdri™

N°	Description	Numéro de pièce
1	Kit, capteur	49-10108K
2	Kit, commandes du sèche-mains	16-KK
3	Kit, moteur - 120 V	32-K120K
	Kit, moteur - 240 V	32-K240K
4	Kit, élément chauffant - 120 V	21-1120K
	Kit, élément chauffant - 240 V	21-1240K
5	Kit, caisson plénum	47-0818092AK
6	Filtre à air	93-120309
7	Kit, couvercle commandes	20-0815093K
8	Kit, buse de sortie d'air	30-K10109K
9	Kit, mise à la terre – modèle K	23-120609
10	Capot – alum. – blanc	20-K974
	Capot – alum. – noir	20-K162
	Capot – alum. – chrome poli/brillant	20-K970
	Capot – alum. – chrome brossé/satiné	20-K971
	Capot – acier inoxydable – poli/brillant	20-K972
	Capot – acier inoxydable – brossé/satiné	20-K973
	Capot – acier – blanc	20-K975
	Capot – fonte – porcelaine émaillée	20-K976
11	Kit, vis de sécurité	46-040222K
12	Clé six-pans, sécurité	56-40189
13	Transformateur - 120 V	50-K120K
	Transformateur - 240 V	50-K277K

Tous les kits incluent les pièces de fixation nécessaires à l'installation. Le numéro de pièce pour le capot (numéro de référence 11) varie en fonction du numéro de modèle du sèche-mains.



Pour les pièces de rechange, consulter www.WorldDryer.com

Fournir les renseignements suivants :

- Numéro de modèle
- Numéro de série
- Description et numéro de la pièce figurant sur la liste des pièces

Installation

1. Couper la source d'alimentation électrique.
2. En utilisant le tableau 2 pour déterminer la hauteur de pose recommandée, sélectionner un emplacement de pose du sèche-mains en veillant à ce qu'aucune surface ni aucun objet réfléchissant (comme un lavabo) ne se trouve directement sous la lentille du capteur infrarouge. La lentille du capteur infrarouge est visible sous le sèche-mains et se trouve juste à l'intérieur de la zone de la buse. La distance minimale de pose entre la surface inférieure du sèche-mains et toute surface réfléchissante est de 46 cm. En cas d'installation de plusieurs sèche-mains, les espacer d'au moins 61 cm.
3. Utiliser la clé six-pans de sécurité fournie pour faire tourner les vis de montage du capot **dans le sens des aiguilles d'une montre** afin de retirer le capot du sèche-mains.
4. Placer le socle de fixation du sèche-mains sur le mur à l'emplacement souhaité et en utilisant le socle comme gabarit, marquer sur le mur l'emplacement des trous des quatre boulons de fixation.
5. Fixer le socle au mur au moyen de boulons du type recommandé sur le tableau 3.
6. Chaque sèche-mains doit avoir son propre circuit spécialisé.
7. Brancher le sèche-mains au tableau de distribution adapté le plus proche.
8. Remettre le capot en place, tourner les vis **dans le sens contraire des aiguilles d'une montre** en veillant à ne pas serrer excessivement.

IMPORTANT : Consulter les réglementations locale et générale avant d'installer le sèche-mains. S'assurer que le réseau électrique n'est pas surchargé. Toujours raccorder l'appareil à un circuit de dérivation spécialisé protégé par un disjoncteur ou un fusible aux caractéristiques nominales supérieures à l'intensité nominale du modèle de sèche-mains figurant sur le tableau 1 – Caractéristiques électriques, conformément au NEC (National Electrical Code) et/ou au Code Canadien de l'électricité (CCE).

Tableau 2

Distances recommandées entre le sol et le bord inférieur du sèche-mains	cm (po)
Toilettes pour hommes	117 (46)
Toilettes pour femmes	112 (44)
Toilettes pour enfants de 4 à 7 ans	81 (32)
Toilettes pour enfants de 7 à 10 ans	91 (36)
Toilettes pour enfants de 10 à 13 ans	102 (40)
Toilettes pour enfants de 13 à 17 ans	112 (44)
Hauteur de montage pour personnes handicapées	94 (37)

Tableau 3

Type de mur	Type de boulon	Longueur minimum des boulons
Parpaings creux, lattes, panneaux de revêtement ou métal	Boulons type vis (M6) ou à ailettes 6,35 mm (1/4 po)	Dépend de l'épaisseur du mur
Ciment ou brique, carrelés ou non	Boulons à coquille d'expansion type goujon (M6) 6,35 mm (1/4 po)	76 mm (3 po)
Colombage avec support en bois	Vis à bois (M8) n° 16	70 mm (2 3/4 po)

Réglage des commandes du sèche-mains

Tableau 4

Réglage du moteur	Modèles série K-XXX		Modèles série K4-XXX	
	Consommation (watts)		Consommation (watts)	
	Chauffage « OFF » (Arrêt)	Chauffage « ON » (Marche)*	Chauffage « OFF » (Arrêt)	Chauffage « ON » (Marche)*
Hi (Élevé)	800	1200	850	1250
Med (Moyen)	575	975	600	1000
Low (Faible)	400	800	425	825

* La puissance de l'élément chauffant est de 400 W maximum.

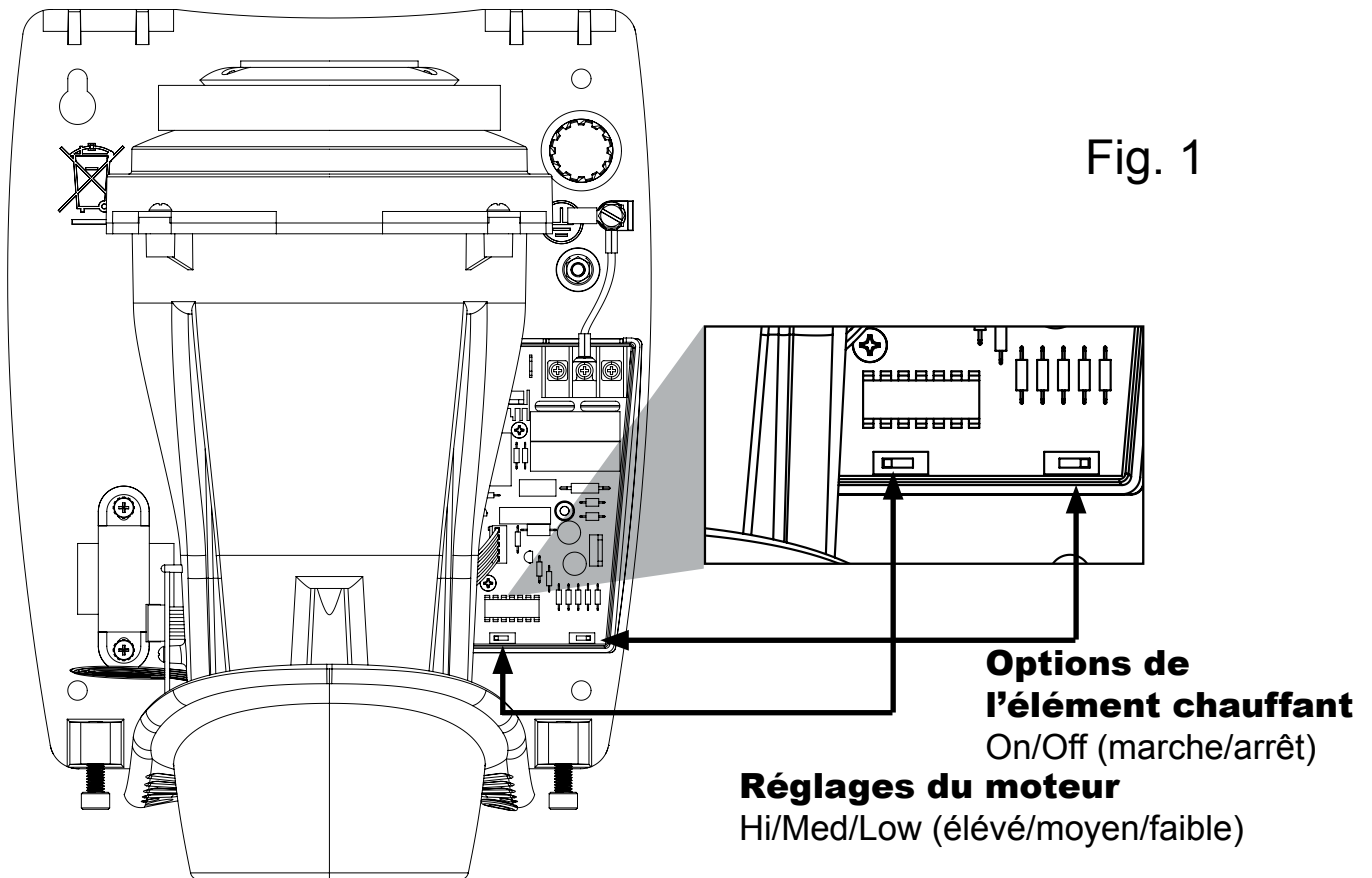
Le sèche-mains est équipé de commandes réglables pour trois niveaux de fonctionnement : « Hi » (Élevé), « Med » (Moyen) et « Low » (Faible). Le sèche-mains peut fonctionner avec l'élément chauffant sur « ON » (Marche) ou sur « OFF » (Arrêt). La consommation du sèche-mains pour la plage de fonctionnement est indiquée sur le tableau 4.

Remarque : Le réglage en usine des commandes du sèche-mains est : moteur « Hi » et élément chauffant « ON ».

Les commandes réglables du sèche-mains se trouvent sur la carte de circuits imprimés située à l'intérieur du compartiment de câblage de l'appareil.

Pour régler les commandes de l'appareil :

1. Couper la source d'alimentation électrique.
2. Utiliser la clé six-pans de sécurité fournie pour faire tourner les vis de montage du capot **dans le sens des aiguilles d'une montre** afin de retirer le capot du sèche-mains.
3. Enlever le couvercle du compartiment de câblage pour accéder aux commandes réglables (voir la Fig. 1).
4. Effectuer le réglage voulu du moteur et de l'élément chauffant et remettre en place le couvercle du compartiment de câblage.
5. Remettre le capot de l'appareil en place en utilisant la clé six-pans de sécurité fournie pour faire tourner les vis de montage du capot **dans le sens contraire des aiguilles d'une montre** et les serrer jusqu'à ce qu'elles soient bien ajustées. Ne pas serrer excessivement.



Instructions d'entretien et de nettoyage

IMPORTANT : Le sèche-mains est doté d'un filtre à air pour empêcher l'accumulation de peluche ou de poussière pouvant endommager le moteur et l'élément chauffant. Un remplacement ou un nettoyage régulier du filtre à air est nécessaire pour garantir le bon fonctionnement du sèche-main. Si la fréquentation des toilettes est faible à moyenne, il est conseillé de nettoyer le sèche-mains une fois par an. Si la fréquentation des toilettes est élevée, le filtre à air doit être remplacé ou nettoyé tous les 6 mois. Lire toutes les instructions avant de procéder au remplacement ou au nettoyage.

Remplacement ou nettoyage du filtre à air :

1. Couper la source d'alimentation électrique.
2. Utiliser la clé six-pans de sécurité fournie pour faire tourner les vis de montage du capot **dans le sens des aiguilles d'une montre** afin de retirer le capot du sèche-mains.
3. Il est facile d'enlever et de remettre en place le filtre à air en étirant et en soulevant avec précaution le filtre à air pour le faire passer autour de la grille d'aspiration du moteur.
4. Pour nettoyer le filtre à air, le retirer de la grille d'aspiration du moteur. Utiliser un pinceau à soies souples moyen de 12 mm pour dépoussiérer et dégraisser le filtre. S'il n'est pas possible de dépoussiérer et de dégraisser complètement le filtre, remplacer le filtre.
5. Après avoir remis en place le filtre à air sur la grille d'aspiration du moteur, remettre le capot du sèche-mains en utilisant la clé six pans fournie pour tourner les vis de montage du capot **dans le sens contraire des aiguilles d'une montre** et les ajuster. Ne pas les serrer excessivement.

Tableau de dépannage

Le sèche-mains ne démarre pas.	A) Le sèche-mains n'est pas alimenté électriquement.	Vérifier l'alimentation et les connexions de l'appareil.
	B) Le moteur est défectueux.	Remplacer le moteur.
	C) Le capteur infrarouge est défectueux.	Remplacer le capteur infrarouge.
	D) Les commandes du sèche-mains sont défectueuses.	Remplacer les commandes du sèche-mains.
Le sèche-mains fonctionne sans s'arrêter ou marche pendant trente secondes et ne redémarre plus.	A) Le capteur est sale ou défectueux, ou il reçoit une réflexion intempestive.	1. Vérifier la lentille infrarouge pour voir si elle est encrassée ou endommagée. Utiliser une solution de nettoyage de lentille en plastique et un chiffon doux. Sécher la lentille avec un chiffon doux.
		2. Vérifier que le capteur ne reçoit pas de réflexion provenant d'un autre objet.
		3. Lorsque le sèche-mains est mis sous tension, il devrait se mettre en marche au bout de quelques secondes. Le tester en plaçant les mains à une distance de 51 à 127 mm sous la buse.
B) Les commandes du sèche-mains sont défectueuses.	Remplacer les commandes du sèche-mains.	
Le jet d'air sortant du sèche-mains manque de puissance.	A) Le moteur est mal réglé.	Modifier le réglage du moteur. Se reporter à la page 3 pour des instructions.
L'air qui sort du sèche-mains n'est pas chaud.	A) L'élément chauffant est sur la position « OFF ».	Mettre l'élément chauffant sur la position « ON ». Se reporter à la page 3 pour des instructions.
	B) L'élément chauffant est défectueux.	Remplacer l'élément chauffant.
	C) Les commandes du sèche-mains sont défectueuses.	Remplacer les commandes du sèche-mains.

Garantie limitée

GARANTIE LIMITÉE DE CINQ ANS de World Dryer. Le modèle de sèche-mains à air chaud World Dryer couvert dans ce manuel est garanti par World Dryer Corporation au premier utilisateur contre tout défaut de fabrication ou de matériau dans des conditions d'utilisation normales durant 5 ans à compter de la date d'achat. Toute pièce présentant, selon World Dryer, des défauts de fabrication ou de matériau et retournée, port payé, à un centre de service autorisé, sera réparée ou remplacée au choix de World Dryer, à titre de recours exclusif. Voir les procédures de réclamations sous garantie sous la rubrique « PROMPT RÉGLEMENT », ci-après. La présente garantie donne aux acheteurs des droits spécifiques qui varient selon les juridictions.

LIMITES DE RESPONSABILITÉ. Dans la mesure permise au titre de la loi applicable, World Dryer décline expressément toute responsabilité pour tout dommage accessoire et indirect. La responsabilité de World Dryer est dans tous les cas limitée et ne saurait dépasser le prix d'achat.

CLAUSE D'EXONÉRATION DE GARANTIE. World Dryer s'est diligemment efforcée d'illustrer et de décrire de manière exacte les produits de cette brochure. Cependant, ces illustrations et ces descriptions ne sont données qu'à titre d'identification et ne garantissent pas expressément ou implicitement que les produits sont de QUALITÉ MARCHANDE ou ADAPTÉS À UN USAGE PARTICULIER, ou qu'ils seront nécessairement conformes aux illustrations ou aux descriptions fournies. Sauf dispositions contraires ci-dessous, aucune garantie ou affirmation de fait, expresse ou implicite, autre que celle énoncée à la rubrique « GARANTIE LIMITÉE » ci-dessus, n'est fournie ou autorisée par World Dryer.

ADÉQUATION DU PRODUIT. Dans de nombreuses juridictions, les normes et les réglementations qui régissent les ventes, la construction, l'installation et/ou l'utilisation de produits pour certains usages peuvent être différentes de celles de régions avoisinantes. Bien que World Dryer se soit efforcée de rendre ses produits conformes à ces normes, la société ne peut en garantir la conformité et ne saurait être responsable de la manière dont les produits sont installés ou utilisés. Avant d'acheter et d'utiliser un produit, il est conseillé d'étudier son application ainsi que les normes et réglementations nationales et locales, et de s'assurer de la conformité à ces normes de ces produits, de leur installation et de leur utilisation. Certains aspects des dénis de garantie ne sont pas applicables aux produits de consommation. Par exemple, (a) certaines juridictions n'autorisent pas l'exclusion ou la limitation des dommages accessoires ou indirects, de sorte que la limitation ou l'exclusion susmentionnée peut ne pas s'appliquer à votre cas ; (b) en outre, certaines juridictions n'autorisent pas de limite sur la durée d'une garantie implicite, par conséquent la limite susmentionnée peut ne pas s'appliquer à votre cas ; et (c) en vertu de la loi, durant la période de garantie limitée, toute garantie implicite de qualité marchande ou d'adéquation à un usage particulier applicable aux produits de consommation achetés par des consommateurs, est susceptible de ne pas pouvoir être exclue ou autrement déniée.

Fabriqué par World Dryer Corporation, Berkeley, Illinois 60163 États-Unis.

PROMPT RÉGLEMENT. World Dryer s'engage à effectuer de bonne foi les rectifications ou autres ajustements prévus pour tout produit qui s'avère défectueux durant la période de garantie limitée. Pour tout produit jugé défectueux durant la période de garantie limitée, contacter tout d'abord le concessionnaire où l'appareil a été acheté. Le concessionnaire fournira des instructions supplémentaires. S'il est impossible de résoudre le problème de façon satisfaisante, écrire à World Dryer à l'adresse ci-dessous, en indiquant le nom et l'adresse du concessionnaire, la date et le numéro de la facture du concessionnaire, ainsi que la nature du défaut constaté. Le titre et le risque de perte passent à l'acheteur au moment de la livraison par le transporteur. Si le produit a été endommagé pendant le transport, une réclamation doit être adressée auprès du transporteur.



5700 McDermott Drive
Berkeley, IL 60163 U.S.A.
800-323-0701
www.worlddryer.com